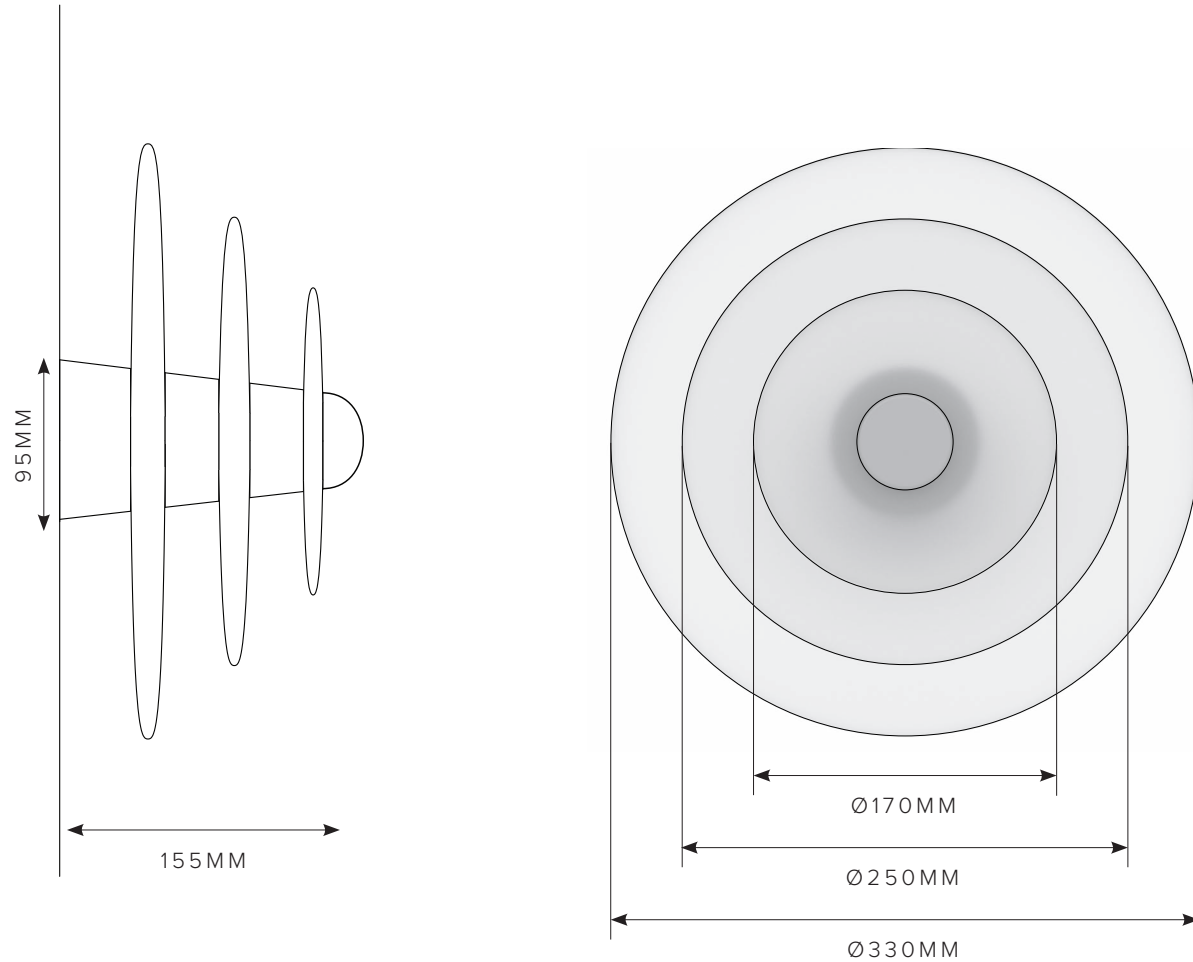


## PLANETARY WALL SCONCE

### DESCRIPTION:

A celestial-inspired design that takes its cue from the contours and hues of the planets, our Planetary wall sconce features three handmade glass tiers with a distinctive smoked finish.

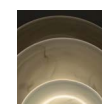
Pared back and perfectly balanced, the graduated glass tiers frame and accentuate the solid metal elements at the centre.



### DETAILS:

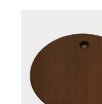
GLASS DISC QTY:	3
WEIGHT:	12 KG
DIMENSIONS:	Ø330MM X 155MM
MATERIAL:	GLASS + BRASS
LIGHT SOURCE:	10W LED PER FITTING
COLOUR TEMPERATURE:	ADJUSTABLE BASED ON LAMP SPEC
DRIVER:	DALI / PHASE / 0-10V
CRI:	>90
PRODUCT CODE:	PLANET-W01

### GLASS FINISH:



Smoked

### FRAME FINISH:



Brass

### WE WELCOME BESPOKE ENQUIRIES:

Available on request. Please contact [office@nultybespoke.co.uk](mailto:office@nultybespoke.co.uk) for more details.