

PLANETARY PENDANT

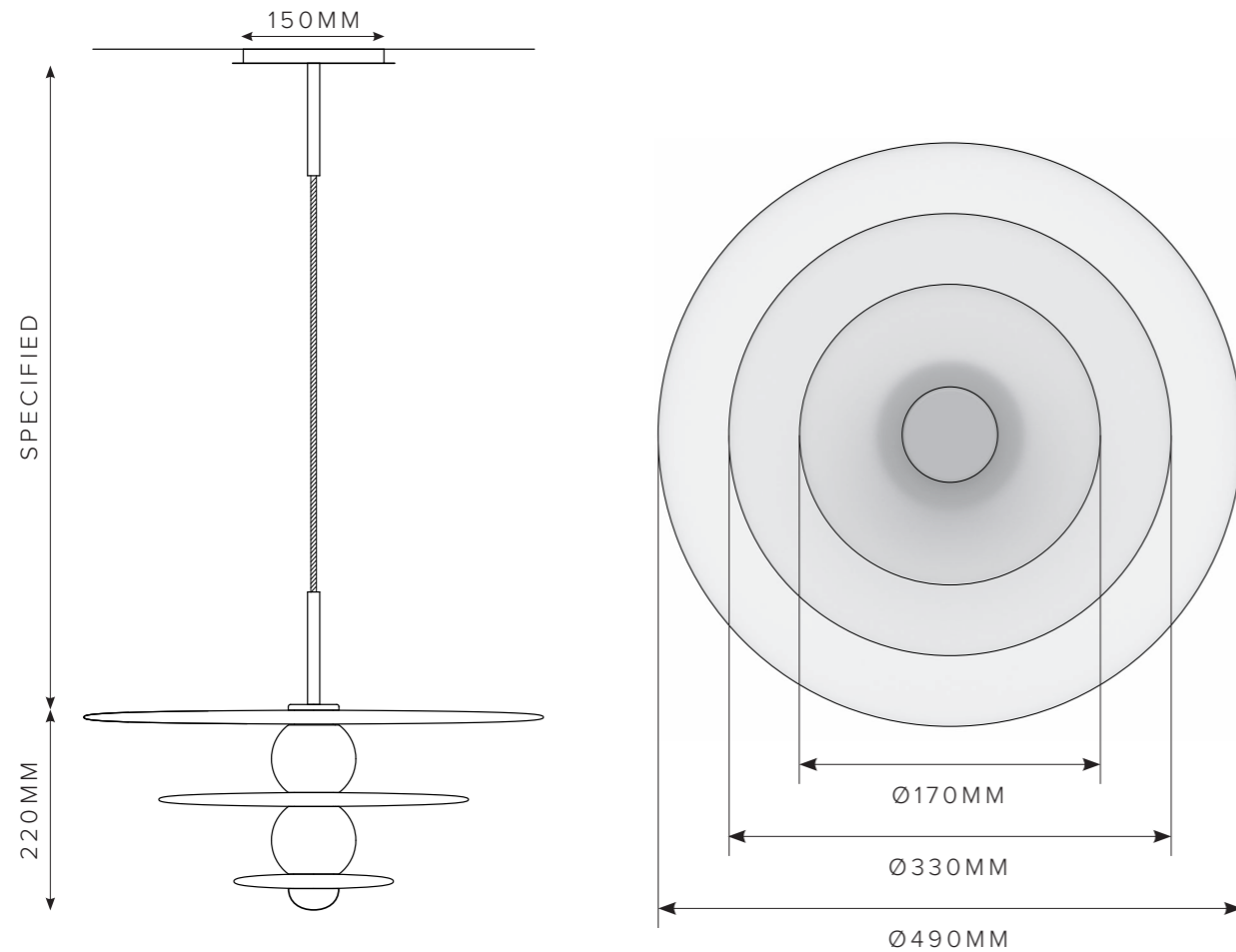
DESCRIPTION:

A celestial-inspired design that takes its cue from the contours and hues of the planets, our Planetary pendant features three handmade glass tiers with a distinctive smoked finish.

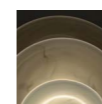
The pendant comprises two solid metal elements between the glass tiers and is suspended by a static drop rod. The braided fabric cable comes in a timeless antique finish, while the frame is available in either a bronze or nickel finish.

DETAILS:

GLASS DISC QTY:	3
WEIGHT:	15 KG
DIMENSIONS:	Ø490MM X 220MM
DROP HEIGHT:	SPECIFIED
MATERIAL:	GLASS + BRASS
LIGHT SOURCE:	10W LED PER FITTING
COLOUR TEMPERATURE:	ADJUSTABLE BASED ON LAMP SPEC
DRIVER:	DALI / PHASE / 0-10V
CRI:	>90
PRODUCT CODE:	PLANET-P01

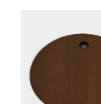


GLASS FINISH:



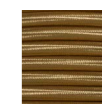
Smoked

FRAME FINISH:



Brass

CABLE FINISH:



Antique

WE WELCOME BESPOKE ENQUIRIES:

Available on request. Please contact office@nultybespoke.co.uk for more details.